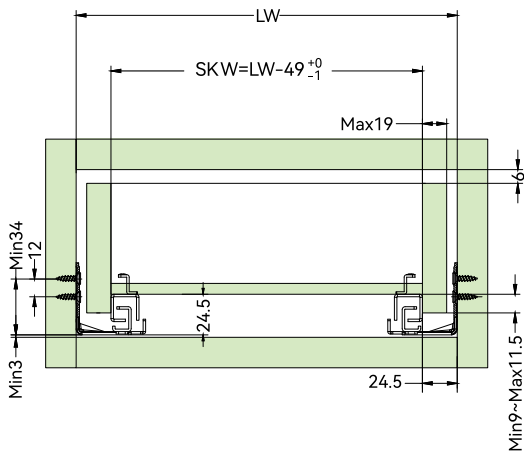


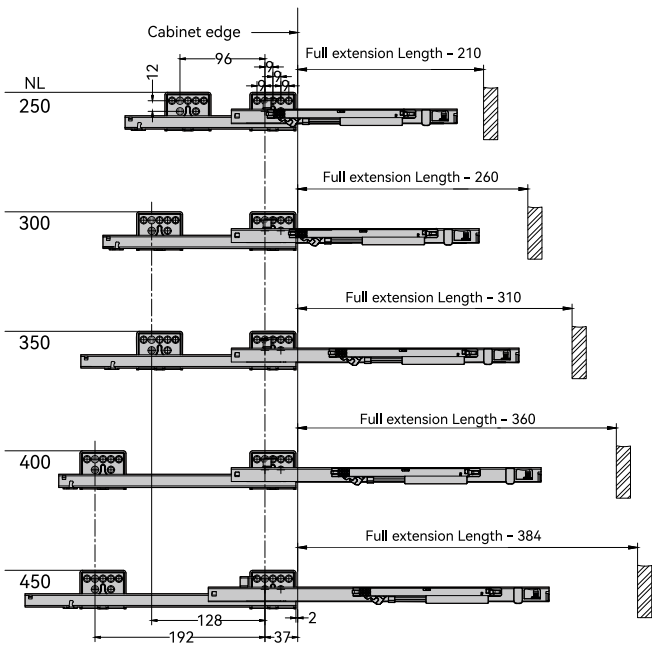
Two-section Full Extension Push Open Assembly instruction

Load capacity: 20Kg
 Length: 250-450mm
 Drawer height adjustment: 0~+3mm

Installation dimensions(mm)
 SKW = Internal drawer width
 LW = Internal cabinet width



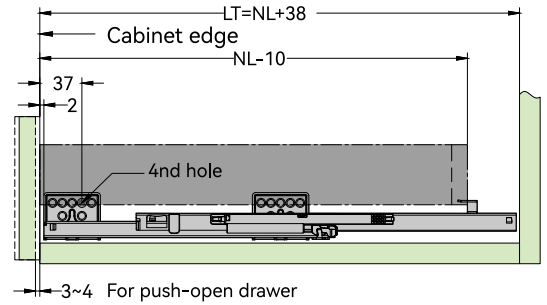
滑轨安装孔的位置(mm) Screw positions of the slides



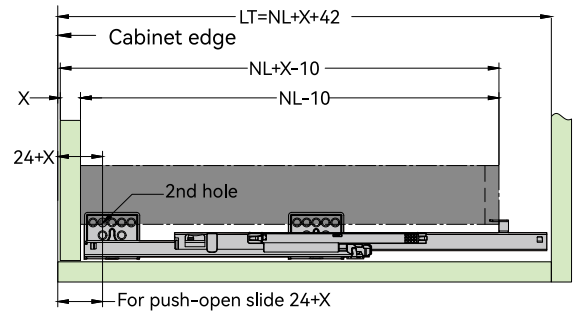
At least one screw for upper holes and one screw for down holes.

At least one screw for upper holes and one screw for down holes.

Installation Dimensions(mm)
 NL = Slide length
 LT = Internal cabinet depth



Standard drawer



Internal drawer

Drawer size and drilling (mm)

NL(mm)	250	300	350	400	450
Pins hole A(mm)	65	90	95	120	135
Height adjustment hole B(mm)	45	70	75	100	115

